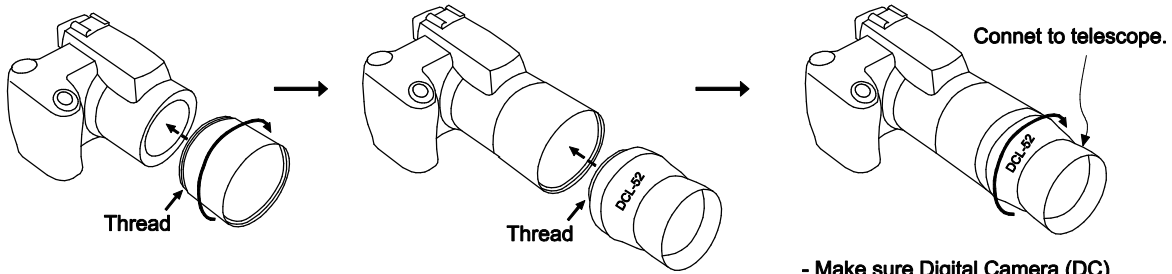


Basic DCL-52 Connection Guide

Step-1

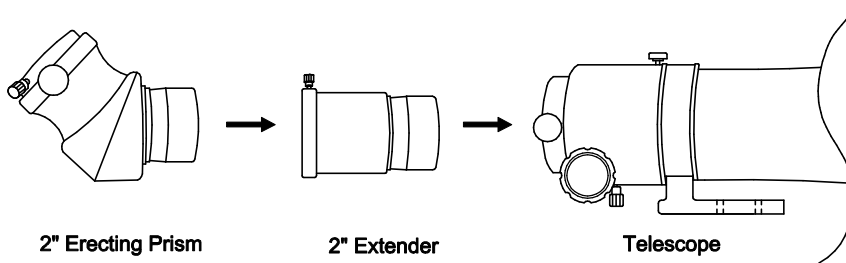


- DC Lens with Zoom Out Capability must use Lens Adapter Tube with our DCL-52.

- Digital Camera (DC) and DCL-52 connecting point.

- Make sure Digital Camera (DC) and DCL-52 is connected tightly by turning clockwise before operation.

Step-2

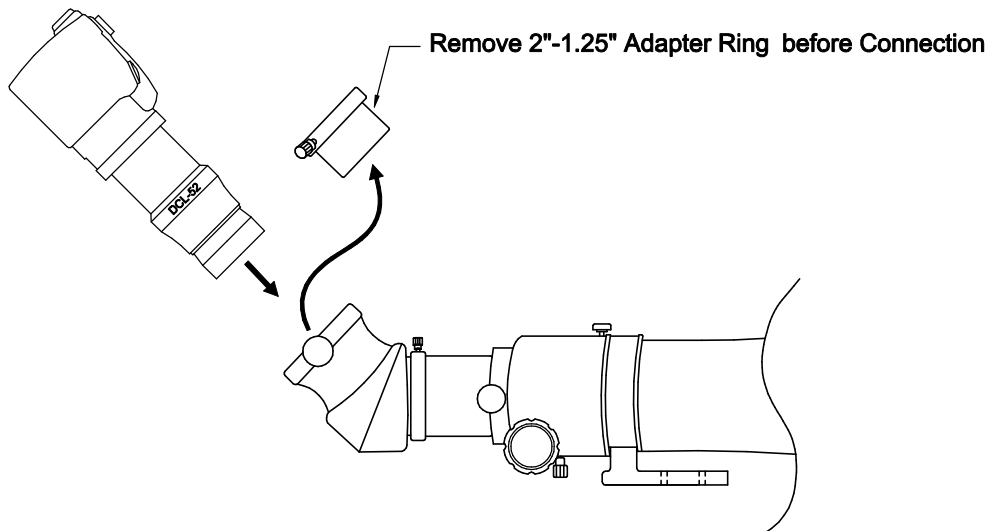


2" Erecting Prism

2" Extender

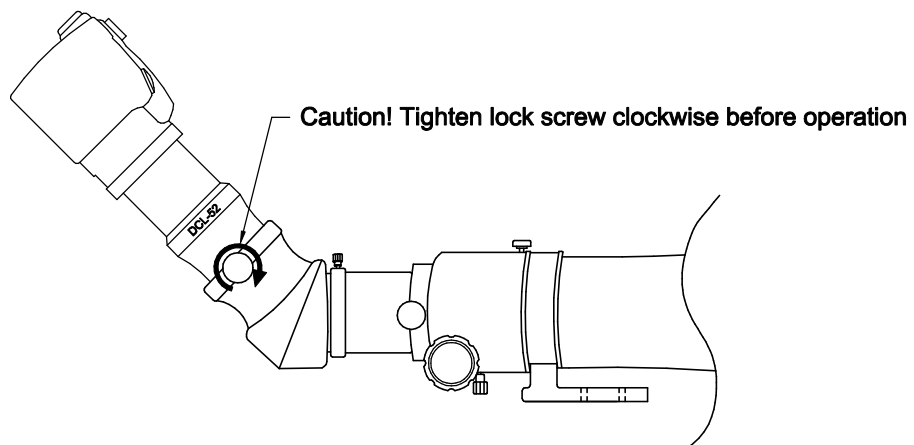
Telescope

Step-3



Remove 2"-1.25" Adapter Ring before Connection

Step-4



Caution! Tighten lock screw clockwise before operation

*Note : All Lock Screw Must be Secure before operating