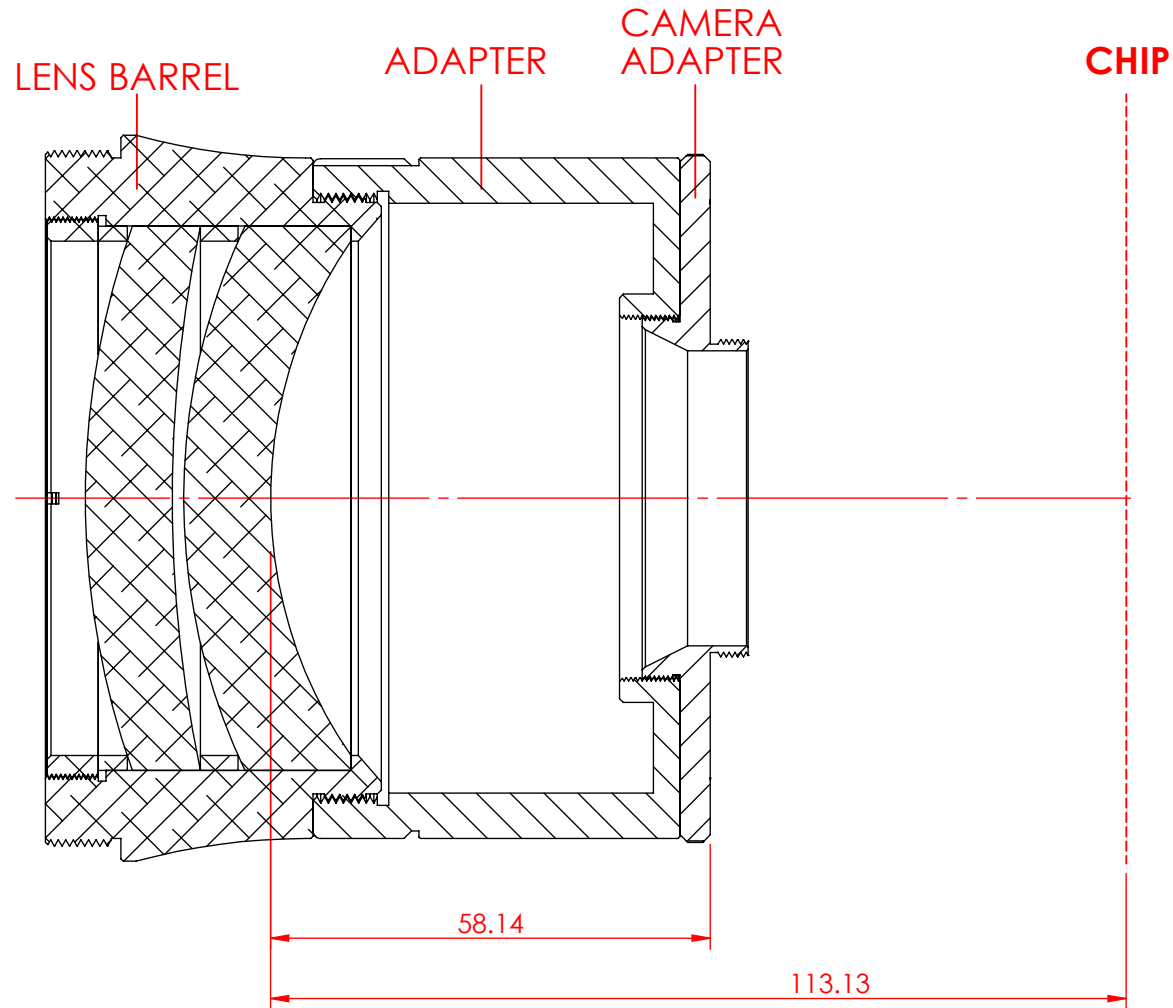


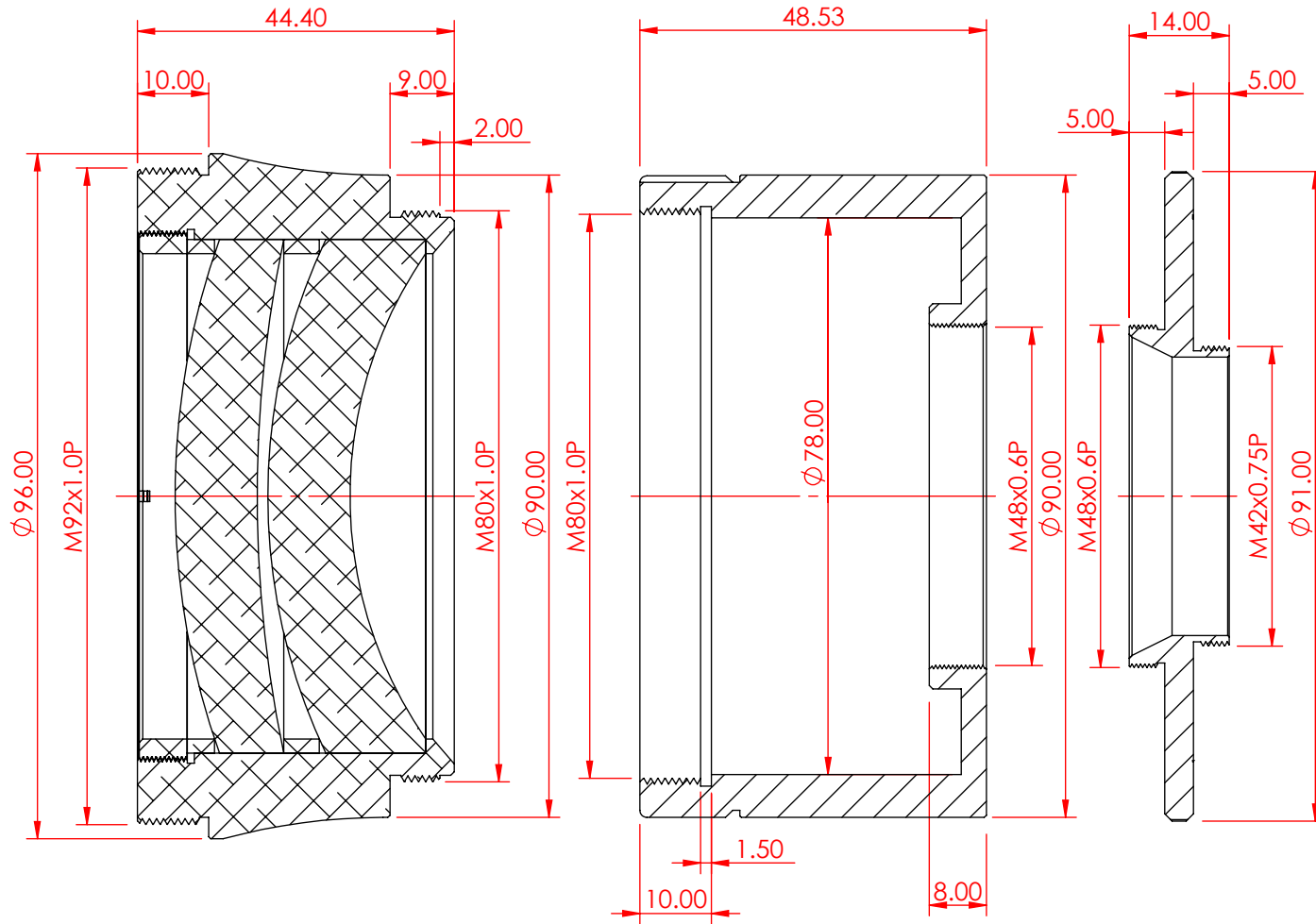
Flat 68 Second Generation

Chip-TO-Lens Distance



WILLIAM OPTICS

Flat 68 Second Generation



WILLIAM OPTICS