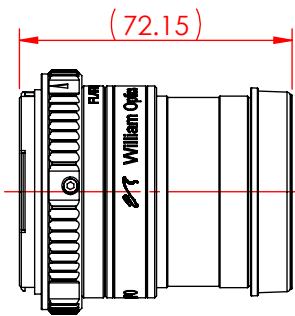
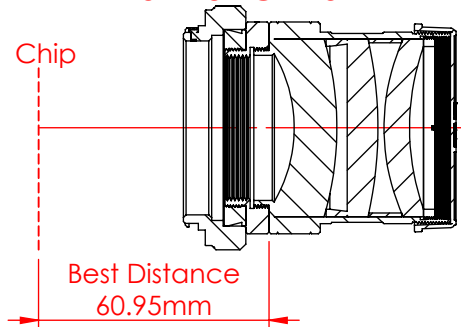


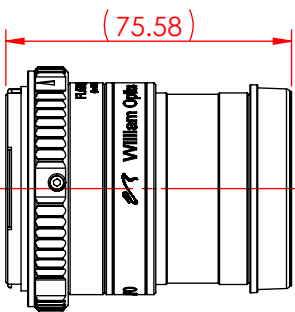
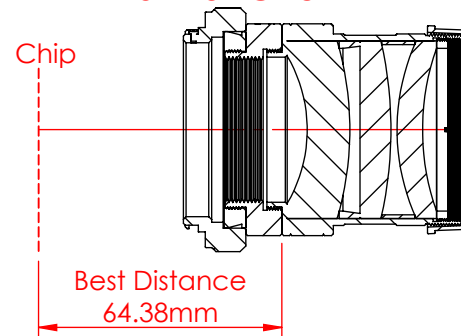
WO Flattener 6A Usage Chart

FLATTENER 6 is designed for refractors at F6
It's suitable for GT81, Z71, Z70 and Z66

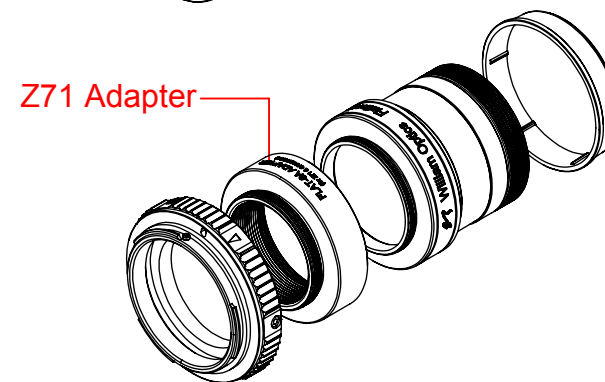
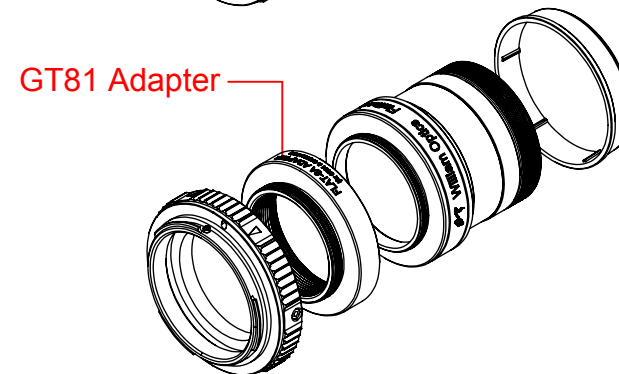
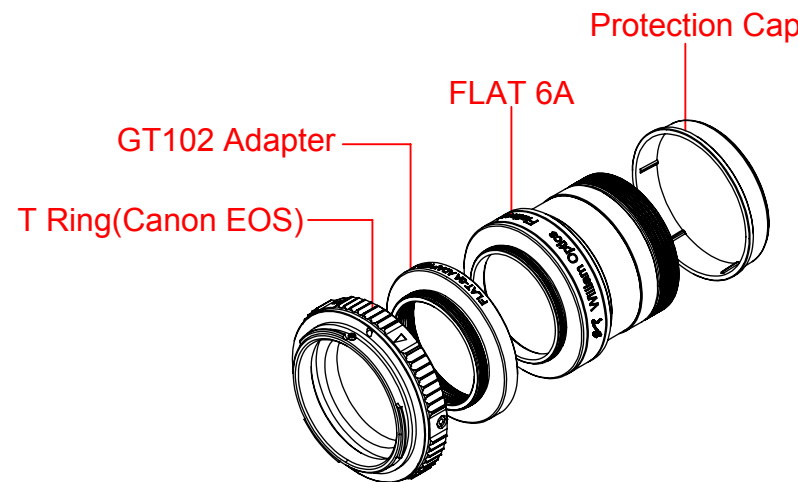
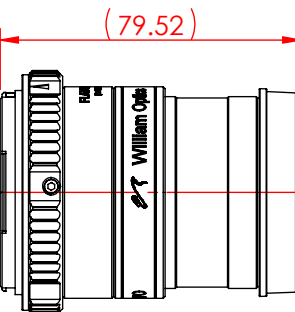
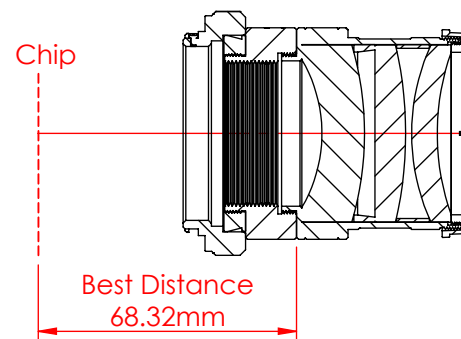
FLAT 6A for GT102



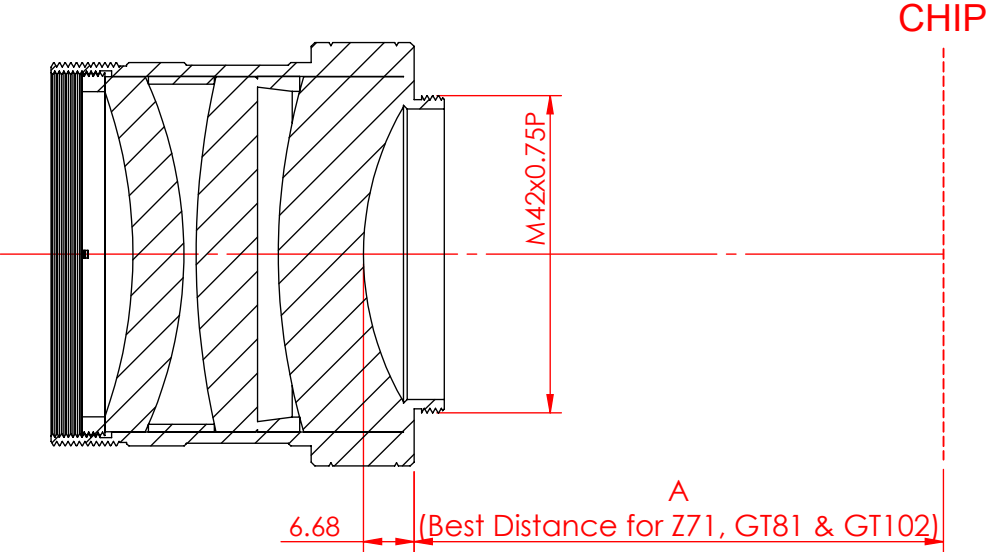
FLAT 6A for GT81



FLAT 6A for Z71



MODEL	"A " Best Distance
Z71	68.32mm
GT81	64.38mm
GT102	60.95mm



剖面圖 a-a