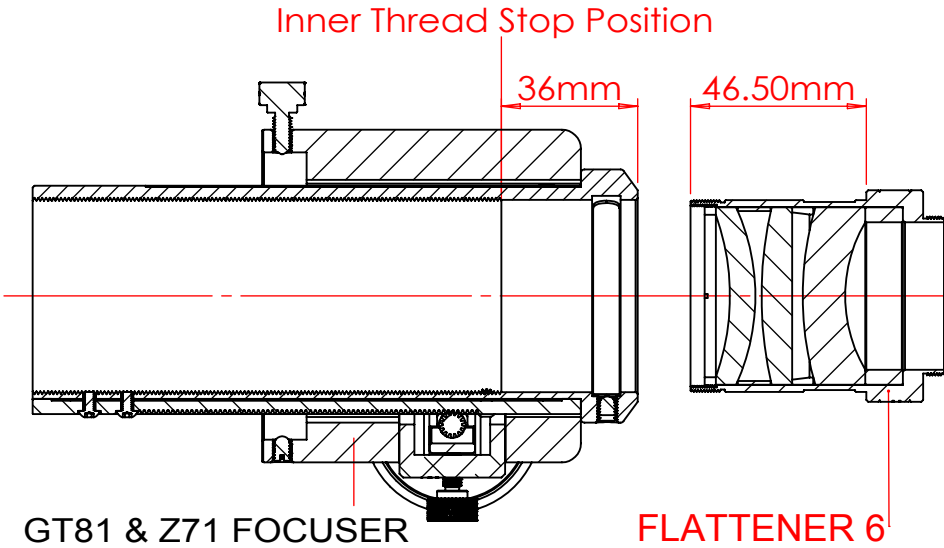
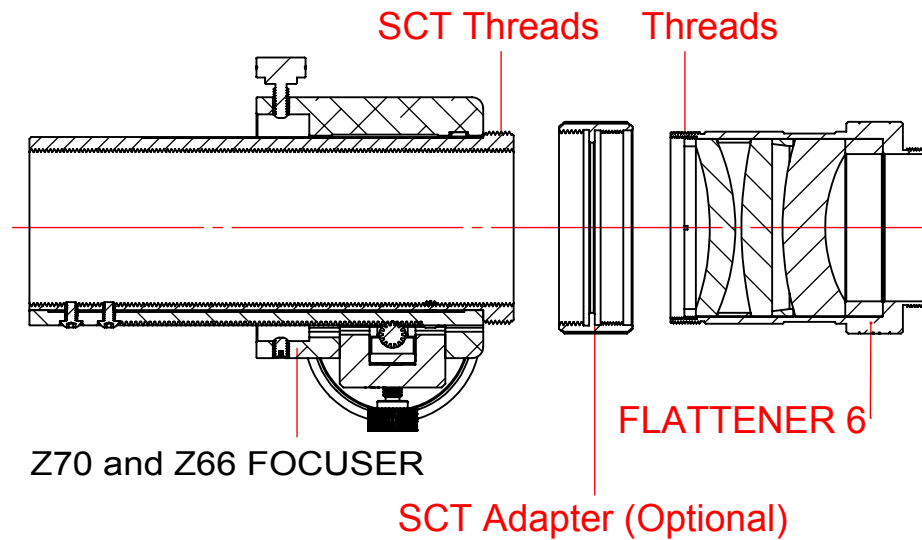
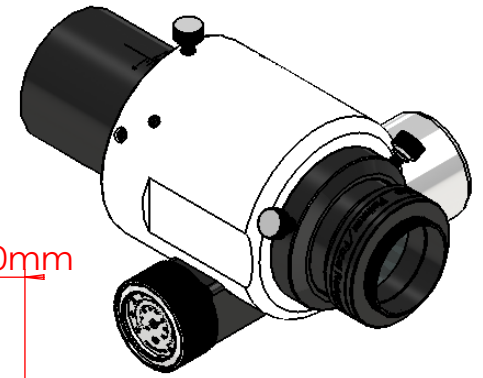
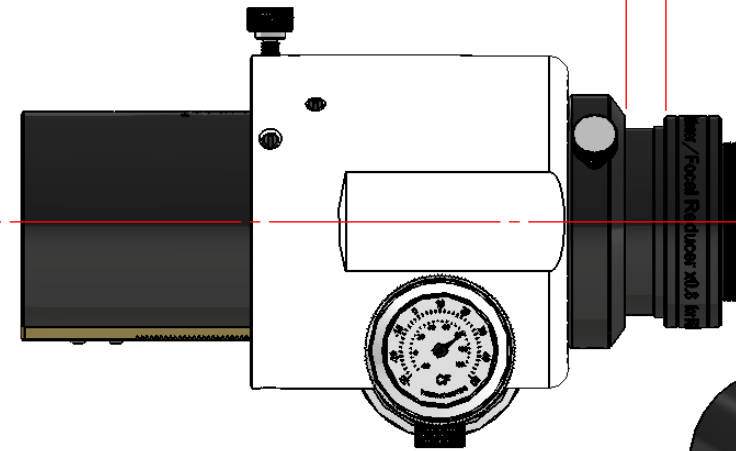


WO Flattener 6 Usage Chart

FLATTENER 6 is designed for refractors at F6
It's suitable for GT81, Z71, Z70 and Z66



Safe set position at 10.50mm



56mm

